

**Technical data:**

Name:	Premium Ionic Facial Steamer
Rated voltage (V)AC 50Hz:	110
Rated spraying amount:	700ml/ hour
Temperature at the steam vent:	194°F
Power:	750W
Cup volume:	1.35 Liter
Net Weight:	15.4 lbs.
Electric shock prevention grade:	Grade I

**Warnings:**

1. This machine is not suitable for the person who has weakness, slow reaction or pneumonia unless it is guided by a responsible person for safe use.
2. Keep away from children unless supervised.

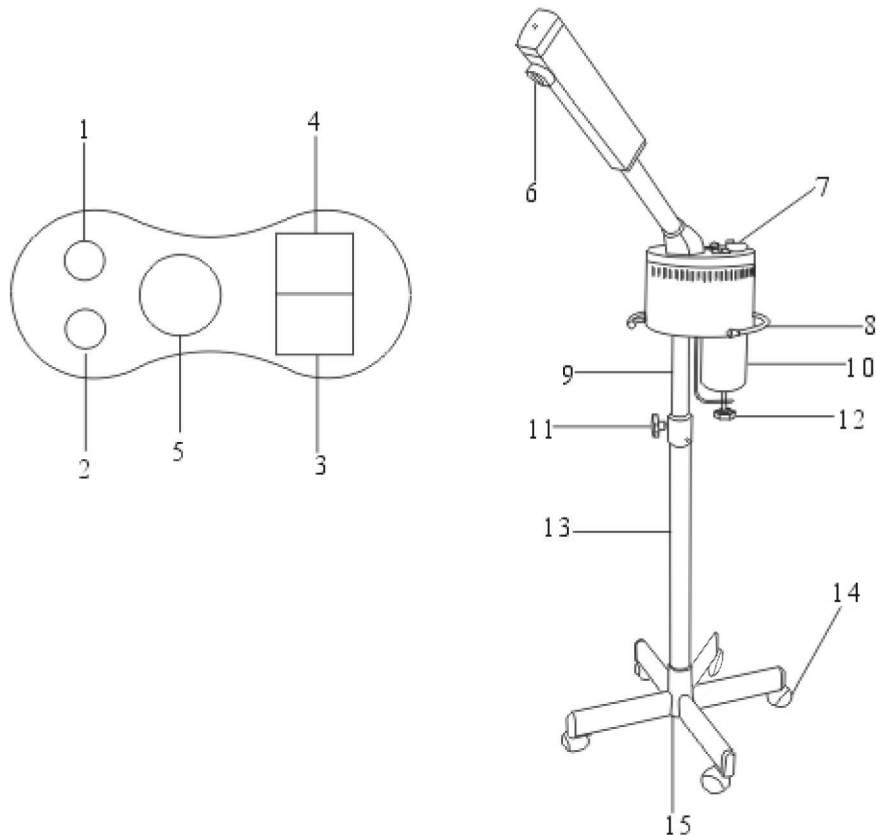
# Premium Ionic Facial Steamer with Stand



Congratulations on your purchase of the ForPro Premium Ionic Facial Steamer with Stand. Please read the instructions and safety tips before use. Your Ionic Facial Steamer comes with a one-year limited warranty. If for any reason you need service, please call 800-362-6245. Replacement glass jars are also available.

**Operation:**

- |                             |                               |
|-----------------------------|-------------------------------|
| (1) Ozone indicator         | (10) Glass jar                |
| (2) Vapor indicator         | (11) Vertical adjusting knob  |
| (3) Vapor On/Off switch     | (12) Glass jar adjusting knob |
| (4) Ozone On/Off switch     | (13) Outer tube               |
| (5) Timer                   | (14) Floor stand with casters |
| (6) Spray nozzle            | (15) Locking screw            |
| (7) Water inlet             |                               |
| (8) Hand rest               |                               |
| (9) Vertical adjusting tube |                               |



**Instructions:**

It is not necessary to run a steamer through a cycle before use, but it is recommended to make sure it is not defective rather than finding out on a client.

- (1) Fill the water cup with distilled or purified water to the warning line. [Note: using tap water will damage the unit and void warranty].
- (2) Connect to electricity (110V), and push down the power switch to turn on. Steam will begin to emit from the spray nozzle in 6-8 minutes. Press the ultraviolet switch and ionized steam vapor will stream out.
- (3) When the water surface falls below the heating wire, the machine will disconnect power automatically. If continuous use is expected, unplug unit. Empty the remaining water in the cup and refill.
- (4) The proper position for using steam is from the chin up and to cover the entire face. Duration of use depends on the user's skin type.

The spraying/"spitting" will occur with ANY steamer from time to time. It should be considered a normal occurrence NOT A DEFECT. By simply adding a small amount of water to the reservoir through the water inlet (7) while (still hot) in use, momentarily stopping the steam, the gurgling/"spitting" will stop. This will only disrupt the service to the client for a few seconds.

The intermittent starting and stopping of the steam IS A DEFECT. The ONLY time the steam should stop is when the water level gets too low. A full jar of water can steam for about 30 minutes from the time steam is produced. If it stops before that and starts again after a few minutes (& repeats this cycle) it is defective due to a faulty safety thermostat.

**Caution:**

- (1) Don't put into the glass jar (10) any chemicals or additives or it will cause water to squirt instead of vaporize.
- (2) Wait until the vapor spray is coming out of spray nozzle (6) before directing to client.
- (3) After each use, empty the remaining water in the glass jar and clean unit. If there is any calcium oxide on the heating wire, remove it with soft metal brush or by soaking overnight in vinegar solution.
- (4) Don't use detergent when cleaning the glass jar.
- (5) Only use with rated voltage and frequency.
- (6) Do not disconnect the unit with wet hands.
- (7) Do not move the unit using the power cord.
- (8) Stop the use of the unit if damaged.
- (9) Keep out of the reach of children.
- (10) Do not use unit near bathtubs, showers, basins or other vessels containing water.
- (11) Wait until the unit temperature becomes room temperature before changing water.